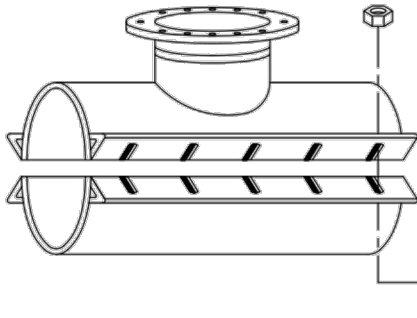


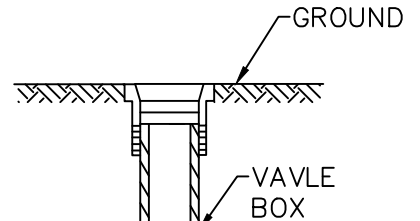
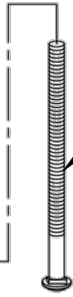
TYPICAL EXPLODED VIEW

SEE NOTE #1
N.T.S.



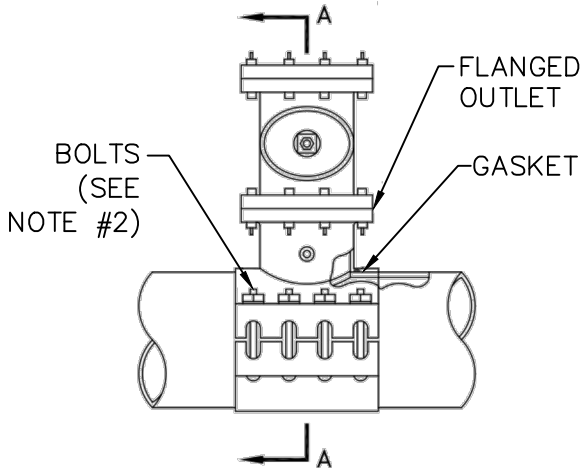
SEWER SERVICE CONNECTIONS TO DISCHARGE FORCE MAINS FROM PUMP STATIONS IS STRONGLY DISCOURAGED. WRITTEN AUTHORIZATION FROM THE DIVISION CHEIF OF WATER AND SEWERAGE IS REQUIRED FOR THIS CONNECTION.

SEE NOTE #2

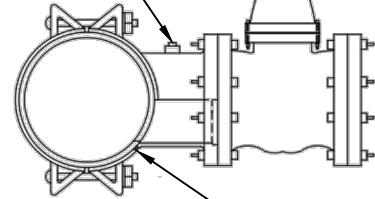


IBBM TYPE TAPPING VALVE W/ 2" SQ. NUT (SEE NOTE #4)

3/4" NPT PLUG



TOP VIEW
N.T.S.



SECTION A-A
N.T.S.

NOTES:

1. FULL BACK SADDLES ONLY
2. THE NUMBER, SPACING, SIZE AND INSTALLATION OF BOLTS SHALL BE IN ACCORDANCE WITH SADDLE MANUFACTURER'S RECOMMENDATIONS.
3. CONTRACTOR SHALL PROVIDE CALVERT COUNTY WATER AND SEWERAGE A CLEAR COPY OF TAPPING SADDLE MANUFACTURER'S CATALOG CUT AND INSTALLATION INSTRUCTIONS 14 DAYS PRIOR TO INSTALLATION OF SADDLE.
4. TAPPING VALVE TO MEET ANSI/AWWA STANDARDS C500 AND C509
5. TAPPING SADDLE SHALL BE SMITH-BLAIR STYLE 622, JCM STYLE 412, OR ROMAC STYLE SST.

REVISIONS:	CALVERT COUNTY	STANDARD DETAILS	
	DEPARTMENT OF PUBLIC WORKS-BUREAU OF UTILITIES	SEWER SERVICE CONNECTION TO FORCE MAIN	S 1.35
	APPROVED: <u><i>R. G. Hoff</i></u> BUREAU CHIEF		
	DATE: <u>SEPTEMBER 10, 2013</u>		